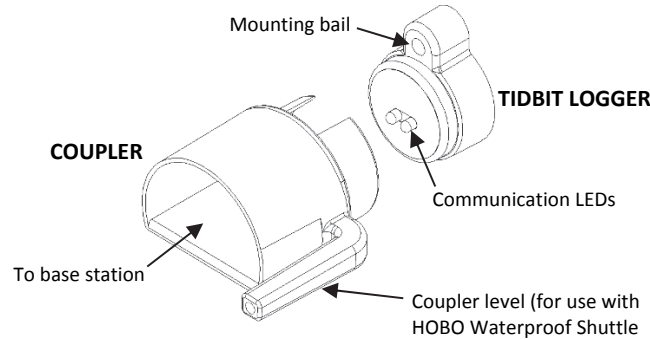


- 1 Open HOBOWARE® software. (Get the latest software at [www.onsetcomp.com/hoboware-free-download](http://www.onsetcomp.com/hoboware-free-download).)
- 2 Attach the USB Optic Base Station (BASE-U-4) or HOBOWARE Waterproof Shuttle (U-DTW-1) to a USB port on the computer (refer to the hardware manual at [www.onsetcomp.com/support/manuals](http://www.onsetcomp.com/support/manuals) for details).
- 3 Attach the coupler (COUPLER2-D) to the base station or shuttle, then insert the logger into the coupler with the communication LEDs facing into the coupler as shown. If you are using the HOBOWARE Waterproof Shuttle, make sure it is connected to the USB port on the computer and briefly press the coupler lever to put the shuttle into base station mode. It may take a few seconds for new hardware to be detected by the computer.



- 4 From the Device menu in HOBOWARE, select Launch. Select the logging options and click Start. Logging will begin based on the settings you selected. To use a magnet to trigger the logger to start logging, launch the logger with Using Coupler selected in HOBOWARE. Once the software indicates the logger has been successfully launched, remove the logger from the coupler.
- 5 Deploy the logger. Depending on water conditions and desired measurement location, the logger should be appropriately weighted, secured, and protected. The mounting bail on the logger accepts 1/8 inch (4 mm) diameter nylon cord or other strong cable. If wire is used to secure the logger, make sure the wire loop is snug to the bail. Any slack in the loop may cause excessive wear. See the logger manual at [www.onsetcomp.com/support/manuals/10385-man-utbi-001](http://www.onsetcomp.com/support/manuals/10385-man-utbi-001) for complete deployment details.  
If using a triggered start, bring an empty coupler or strong magnet to the deployment location. When you are ready for the logger to start logging, insert the logger into the empty coupler (or place a strong magnet near the face of the logger) and remove it after three seconds. The red LED on the logger will blink rapidly four times to indicate a successful triggered launch.
- 6 To read out the logger, remove it from the deployment location. Follow steps 1–3 and select Read Out from the Device menu in HOBOWARE or use the Waterproof Shuttle. Refer to the HOBOWARE Help for complete details on reading out and viewing data.



For more information about this logger, refer to the product manual. Scan the code at left or go to [www.cik-solutions.com/hobo-support/](http://www.cik-solutions.com/hobo-support/)