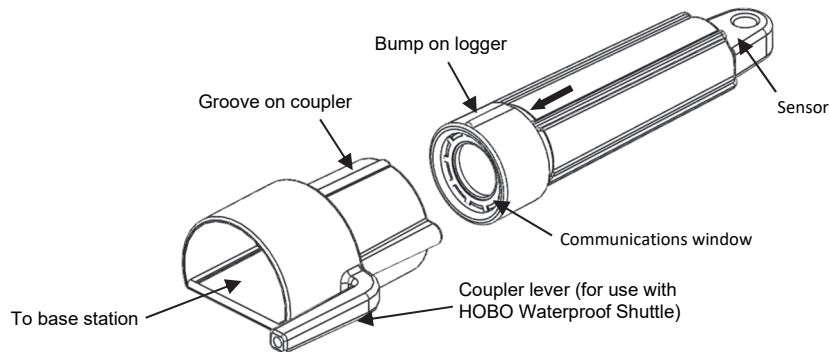


- 1 Open HOBOWare software. (Get the latest software at www.onsetcomp.com/hoboware-free-download.)
- 2 Attach the USB Optic Base Station (BASE-U-4) or HOBOWare Waterproof Shuttle (U-DTW-1) to a USB port on the computer (refer to the hardware manual at www.onsetcomp.com/support/manuals/10366 for details).
- 3 Attach the coupler (COUPLER-C) to the base station or shuttle, then insert the logger into the coupler so that the bump on the logger slides into the groove of the coupler. There is also an arrow etched on the logger case showing the direction the logger should be inserted into the coupler. If you are using the HOBOWare Waterproof Shuttle, make sure it is connected to the USB port on the computer and briefly press the coupler lever to put the shuttle into base station mode. It may take a few seconds for new hardware to be detected by the computer.



- 4 From the Device menu, select Launch. Select the logging options and click Start. Logging will begin based on the settings you selected.
- 5 Deploy the logger. Depending on water conditions and desired measurement location, the logger should be appropriately weighted, secured, and protected. Place the included cap over the communications window to protect it from fouling and abrasion or use the optional boot (BOOT-BLK or BOOT-WHT) for high fouling environments and for protection against very cold temperatures (which can make the case brittle and prone to fracture) or repeated pounding and abrasion caused by turbulent flow. See the logger manual at www.onsetcomp.com/support/manuals/10366 for complete deployment details.
- 6 To read out the logger, remove it from the water. Follow steps 1–3 and select Read Out from the Device menu in HOBOWare or use the Waterproof Shuttle. Refer to the HOBOWare Help for complete details on reading out and viewing data.



For more information about this logger, scan the code at left or go to www.onsetcomp.com/support/manuals/10366.